

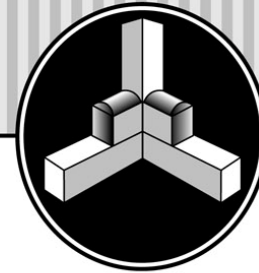


Leiter's Sukkahs

Your one stop for all your Sukkah needs
1346 39th St. • Brooklyn, NY 11218 • Tel. (718) 436-0303

Visit our web site at: www.leiterssukkah.com

OWNER'S MANUAL



TM

**EASE
LOCK**

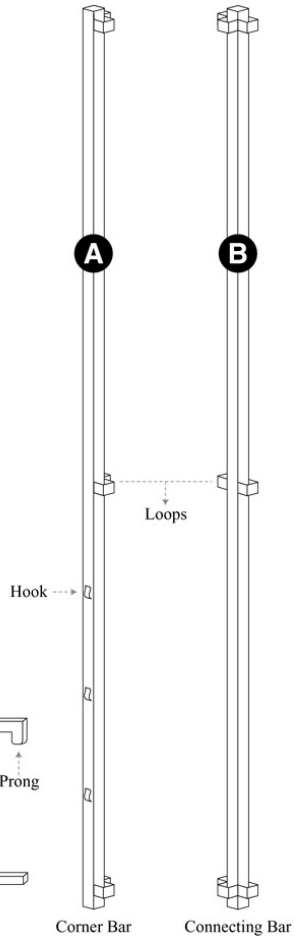
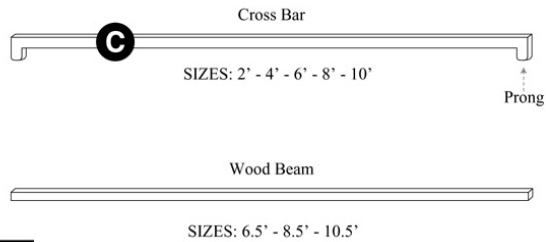
SUPREME

Leiter's Sukkahs

DIAGRAM

Thank you for purchasing the "Leiter's Ease Lock "SUPREME". This sukkah was manufactured from the most durable materials. Yet very simple to construct. Please follow our step by step instructions to insure proper assembly.

Wishing you a happy Sukkot
The Leiter Family



WOOD BEAMS ASSEMBLY:

1. Place Brass Support (E) over the top Crossbars (C).

- For: 4' x 6' - place 2 Brass Supports on both widths
- 6' x 8' - place 3 Brass Supports on both widths
- 8' x 10' - place 3 Brass Supports on both widths
- 8' x 12' - place 6 Brass Supports on both lengths
- or 8' x 12' - place 3 Brass Supports on both widths and 6 on center Crossbar
- 10' x 12' - place 6 Brass Supports on both widths
- 10' x 16' - place 6 Brass Supports on both lengths
- 10' x 20' - place 6 Brass Supports on both lengths



WARRANTY CERTIFICATE

Leiter's Sukkah hereby guarantees all parts and joints of it's Ease-Lock SUPREME Sukkah, for the period of ten years.

A purchase receipt or other proof of date of original purchase will be required before warranty service is rendered.

This Warranty will be invalid in case of damage to bars or coatings. Due to abuse, misuse, negligence, improper maintenance.

Leiter's Sukkahs
(718) 436-0303

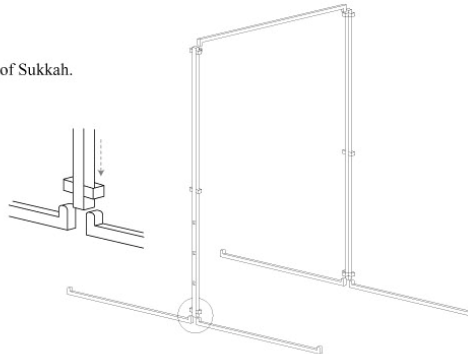


ASSEMBLY INSTRUCTIONS

OF PARTS

FRAME ASSEMBLY: For Sukkahs 12' and up.

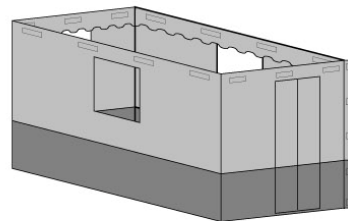
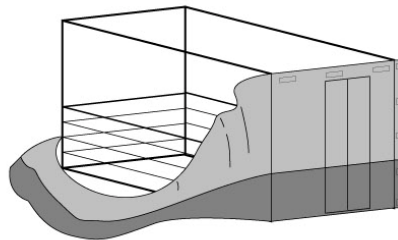
1. Place 4 shorter Crossbars (C) for "length" of Sukkah. Prongs facing upward (as shown).
2. Insert loops of Connecting Bars (B) into prongs to connect length Crossbars.
3. Insert prongs of "width" Crossbars (C) into top loops of Connecting Bars for additional support.
4. To complete Sukkah frame Continue assembly instructions on page 4.



FABRIC ATTACHMENT:

WORK FROM INSIDE SUKKAH. BEGIN WITH TIES NEXT TO FABRIC DOOR. DARKER PART OF FABRIC ON BOTTOM.

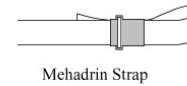
1. Tie strings around left Corner Bar.
2. Attach fabric along the widths & lengths of the Sukkah, using the upper velcro fasteners.
3. Stretch fabric and tie to first corner bar used.
4. Fasten the lower & center velcro fasteners.



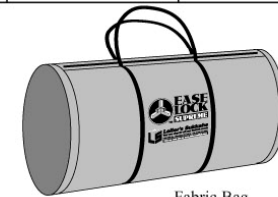
6

LIST OF CONTENTS

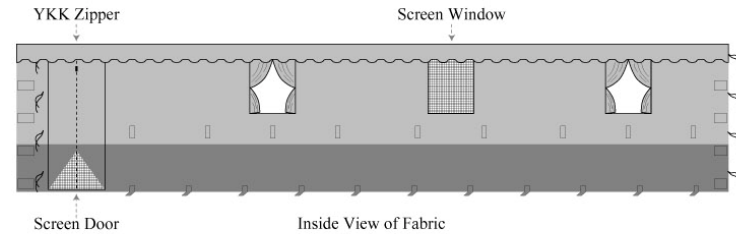
Fabric Bag	Box A	Box B	Box C
4' x 6'	4 Corner Bars	5 Width Bars - 4'	6 Length Bars - 6'
6' x 8'	4 Corner Bars	5 Width Bars - 6'	6 Length Bars - 8'
8' x 10'	4 Corner Bars	5 Width Bars - 8'	6 Length Bars - 10'
8' x 12'	4 Corner Bars 2 Connecting Bars	6 Width Bars - 8'	12 Length Bars - 6'
10' x 12'	4 Corner Bars 2 Connecting Bars	6 Width Bars - 10'	12 Length Bars - 6'
10' x 16'	4 Corner Bars 2 Connecting Bars	6 Width Bars - 10'	12 Length Bars - 8'
10' x 20'	4 Corner Bars 2 Connecting Bars	9 Width Bars - 10'	9 Length Bars - 10'
12' x 16'	4 Corner Bars 4 Connecting Bars	11 Width Bars - 6'	12 Length Bars - 8'



Mehadrin Strap



Fabric Bag
Accessories included



Door Bar
(Optional)

3

ASSEMBLY INSTRUCTIONS

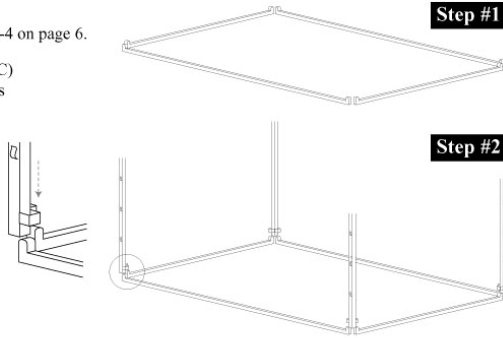
FRAME ASSEMBLY:

For Sukkahs 12' and up, follow steps 1-4 on page 6.

1. Place the width & length crossbars (C) on the ground-prongs facing upwards to create the base for the Sukkah.

2. Insert loop of corner bars (A) into prongs of crossbars (C) to connect the base.

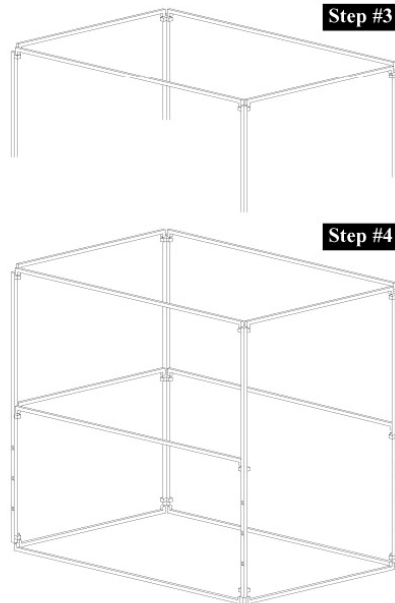
NOTE: Hooks on corner bars should be facing upwards.



3. Insert width & length crossbars into top loops, prongs facing downwards.

4. Insert width & length crossbars into center loops prongs facing downwards.

NOTE: Door side (width) does NOT get center crossbar.



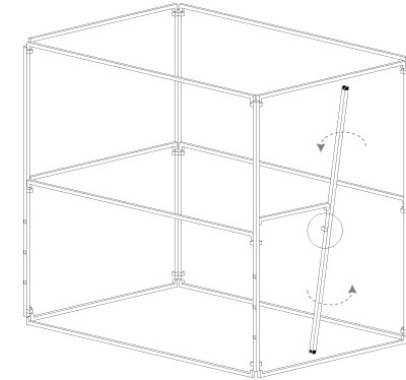
DOOR INSTALLMENT: (Optional)

1. Place Door Bar (D) towards the left of "width" side from inside Sukkah.

2. Hold door bar diagonally between top & bottom bar

NOTE: Loop facing right side of Sukkah.
(See diagram)

3. Straighten Door Bar until it snaps into place.
4. Connect the Crossbar from Door Set into Door & Corner Bar loops.



MEHADRIN STRAPS ATTACHMENT:

1. Insert Straps into Hooks (on Corner Bars) starting on door side Corner Bar, continue around the 3 walls of Sukkah. (Door wall remains clear).

2. Tighten Strap securely around the Sukkah (for Halacha standards).

3. Repeat for all 3 Straps.

